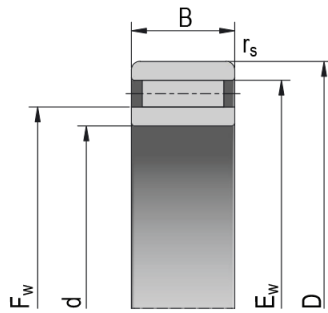
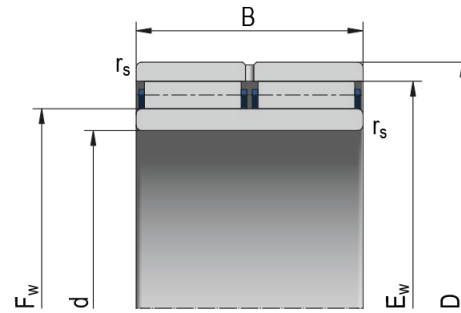


Needle roller bearings without flanges



NAO



NAO

Bearing Designation **NAO 30x45x26**

Dimensions (mm)

d	30
D	45
B	26,0
F _w	35,0
E _w	40
r _{s min}	0,30

s	0,80
d ₁	34,50
D ₁	35,60
d ₂	39,40
D ₂	40,50
r _{a max}	0,30

Basic Load Rating (kN)

C	27,50
C ₀	56,00

Limiting Speed for Lubrication (min⁻¹)

Oil	13000
-----	-------

Weight [g] 157,00