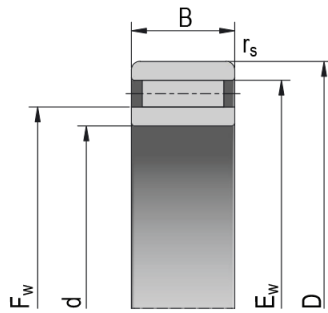
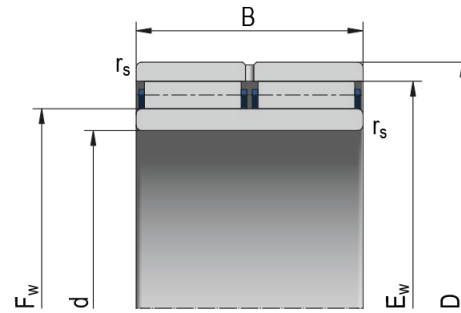


Needle roller bearings without flanges



NAO



NAO

Bearing Designation

NAO 6x17x10TN

Dimensions (mm)

d	6
D	17
B	10,0
F _w	10,0
E _w	13
r _{s min}	0,30

s	0,50
d ₁	9,70
D ₁	10,30
d ₂	12,70
D ₂	13,30
r _{a max}	0,30

Basic Load Rating (kN)

C	4,75
C ₀	5,50

Limiting Speed for Lubrication (min⁻¹)

Oil	29000
-----	-------

Weight [g]

14,00