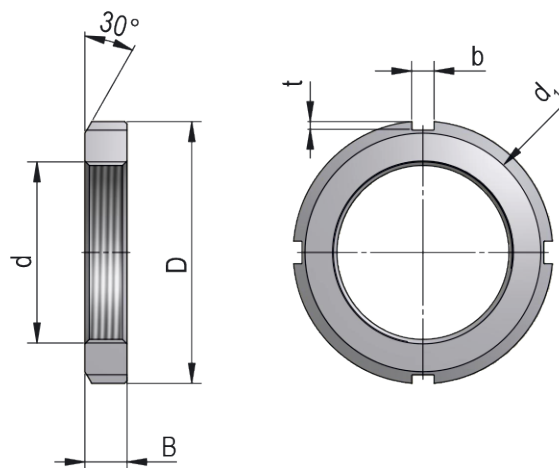


Ending nuts



Sleeve Designation

KM10

Appropriate Components

Locking Washer

MB10

Dimensions (mm)

| | |
|----------------|---------|
| d | M50x1,5 |
| d ₁ | 61 |
| D | 70 |
| B | 11 |
| b | 6 |
| t | 2,5 |
| | - |

Weight [kg]

0,145