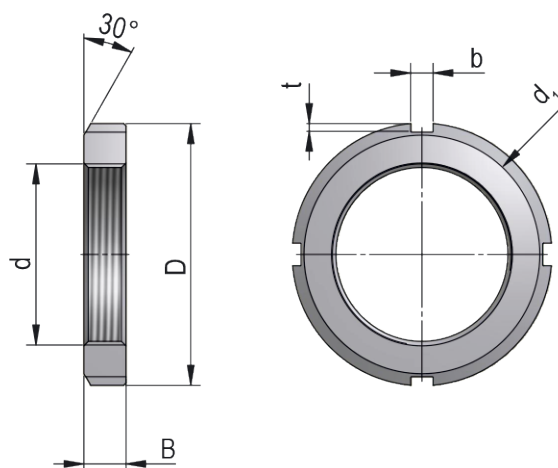


Ending nuts



Sleeve Designation

KM9

Appropriate Components

Locking Washer

MB9

Dimensions (mm)

d	M45x1,5
d ₁	56
D	65
B	10
b	6
t	2,5
	-

Weight [kg]

0,110