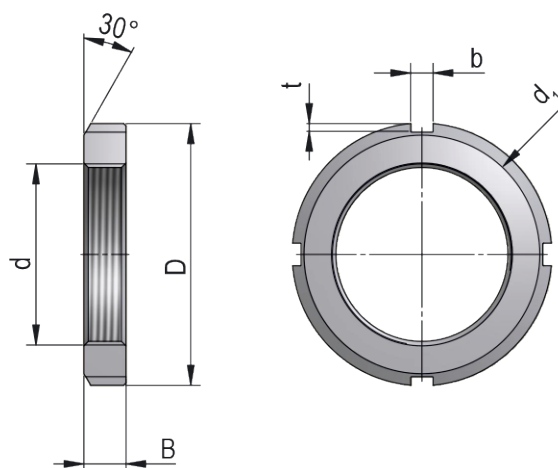


Ending nuts



Sleeve Designation **KM8**

Appropriate Components

Locking Washer **MB8**

Dimensions (mm)

d	M40x1,5
d ₁	50
D	58
B	9
b	6
t	2,5
	-

Weight [kg] 0,078