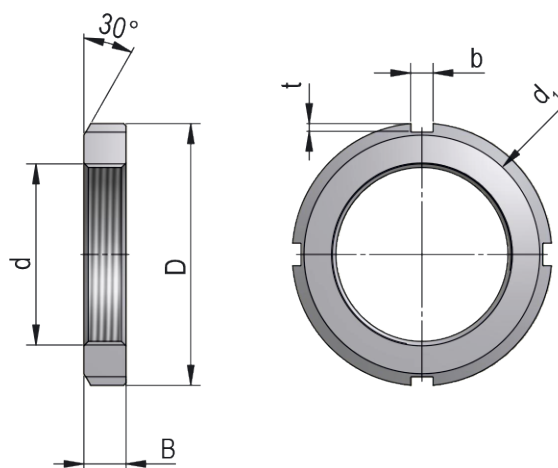


Ending nuts



Sleeve Designation

KM7

Appropriate Components

Locking Washer

MB7

Dimensions (mm)

d	M35x1,5
d ₁	44
D	52
B	8
b	5
t	2
	-

Weight [kg]

0,058