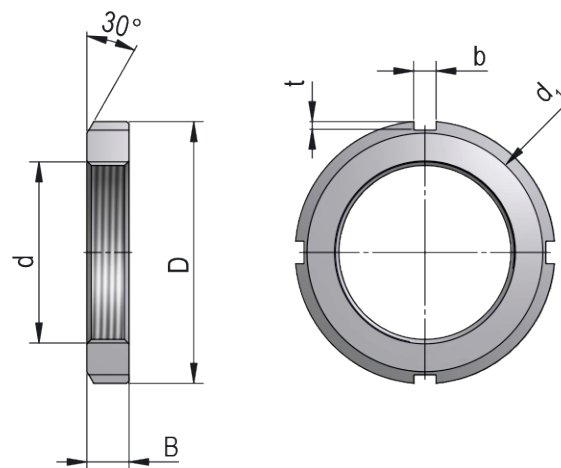


# Ending nuts



Sleeve Designation

**KM5**

Appropriate Components

Locking Washer

**MB5**

## Dimensions (mm)

d	M25x1,5
d <sub>1</sub>	32
D	38
B	7
b	5
t	2
	-

Weight [kg]

0,028