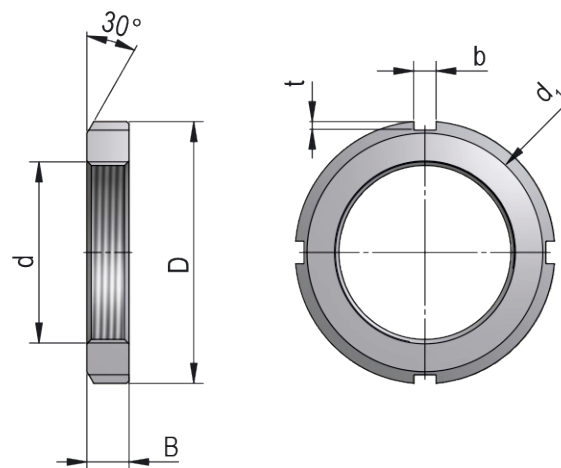


Ending nuts



Sleeve Designation

KM20

Appropriate Components

Locking Washer

MB20

Dimensions (mm)

d	M100x2
d ₁	120
D	130
B	18
b	10
t	4
	-

Weight [kg]

0,68