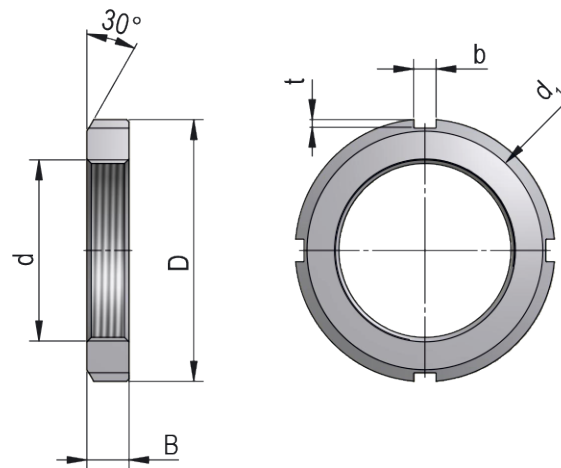


# Ending nuts



Sleeve Designation

**KM17**

Appropriate Components

Locking Washer

**MB17**

## Dimensions (mm)

d	M85x2
d <sub>1</sub>	102
D	110
B	16
b	8
t	3,5
	-

Weight [kg]

0,42