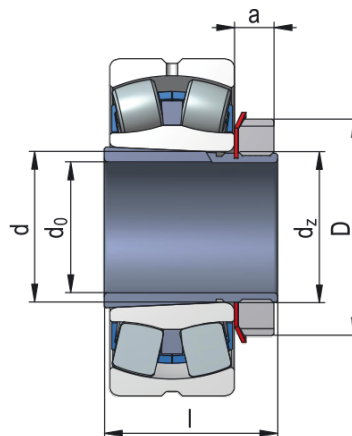


# Adapter sleeves



<b>Sleeve Designation</b>	<b>H204</b>
---------------------------	-------------

<b>Appropriate Components</b>	
<b>Nut</b>	<b>KM4</b>
<b>Washer</b>	<b>MB4</b>

## Dimensions (mm)

$d_0$	17
$d$	20
$D$	32
$l$	24
$a$	7
$a_1$	-
$d_z$	M20x1
$d_{z1}$	-

<b>Weight [kg]</b>	0.036
--------------------	-------