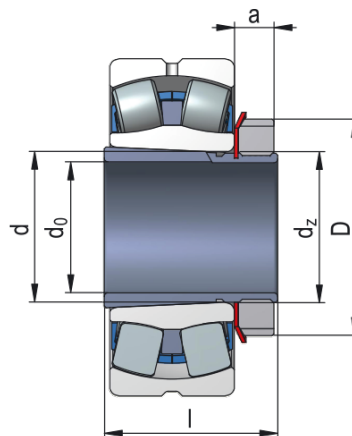


Adapter sleeves



Sleeve Designation	H2303
---------------------------	--------------

Appropriate Components	
Nut	KM3
Washer	MB3

Dimensions (mm)

d_0	14
d	17
D	28
l	27
a	6
a_1	-
d_z	M17x1
d_{z1}	-

Weight [kg]	0.042
--------------------	-------