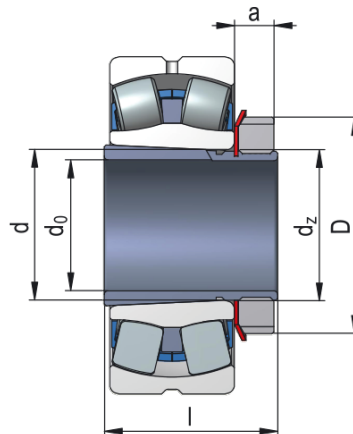


Adapter sleeves



Sleeve Designation	H203
---------------------------	-------------

Appropriate Components	
Nut	KM3
Washer	MB3

Dimensions (mm)

d_0	14
d	17
D	28
l	20
a	6
a_1	-
d_z	M17x1
d_{z1}	-

Weight [kg]	0.03
--------------------	------