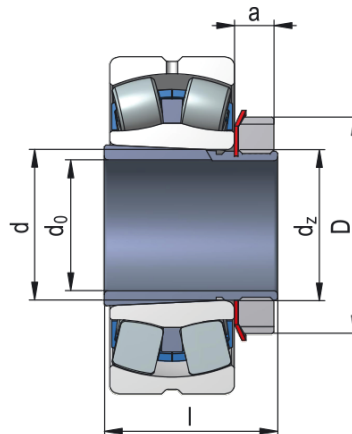


Adapter sleeves



Sleeve Designation	H2302
---------------------------	--------------

Appropriate Components	
Nut	KM2
Washer	MB2

Dimensions (mm)

d_0	12
d	15
D	25
l	25
a	6
a_1	-
d_z	M15x1
d_{z1}	-

Weight [kg]	0,032
--------------------	-------