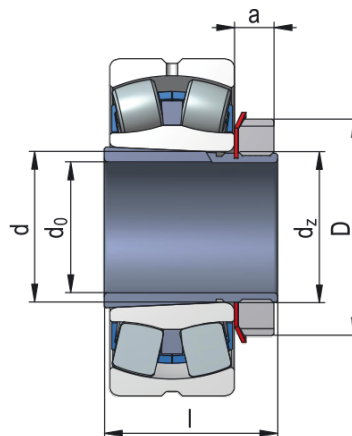


# Adapter sleeves



Sleeve Designation	<b>H308</b>
--------------------	-------------

Appropriate Components	
Nut	<b>KM8</b>
Washer	<b>MB8</b>

## Dimensions (mm)

$d_0$	35
$d$	40
$D$	58
$l$	36
$a$	10
$a_1$	-
$d_z$	M40x1.5
$d_{z1}$	-

Weight [kg]	0.17
-------------	------