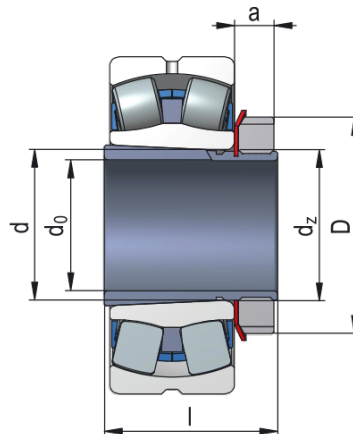


Adapter sleeves



Sleeve Designation	H208
---------------------------	-------------

Appropriate Components	
Nut	KM8
Washer	MB8

Dimensions (mm)

d_0	35
d	40
D	58
l	31
a	10
a_1	-
d_z	M40x1.5
d_{z1}	-

Weight [kg]	0.16
--------------------	------