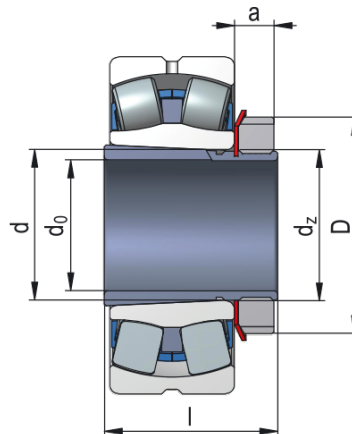


Adapter sleeves



Sleeve Designation	H2307
---------------------------	--------------

Appropriate Components	
Nut	KM7
Washer	MB7

Dimensions (mm)

d_0	30
d	35
D	52
l	43
a	9
a_1	-
d_z	M35x1,5
d_{z1}	-

Weight [kg]	0,160
--------------------	-------