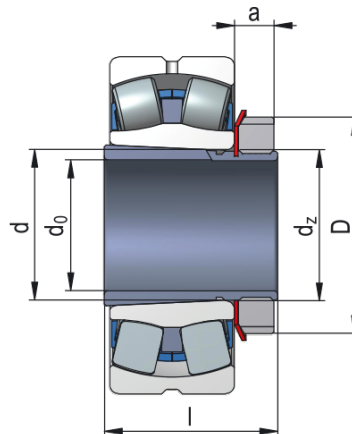


# Adapter sleeves



<b>Sleeve Designation</b>	<b>H306</b>
---------------------------	-------------

<b>Appropriate Components</b>	
<b>Nut</b>	<b>KM6</b>
<b>Washer</b>	<b>MB6</b>

## Dimensions (mm)

$d_0$	25
$d$	30
$D$	45
$l$	31
$a$	8
$a_1$	-
$d_z$	M30x1.5
$d_{z1}$	-

<b>Weight [kg]</b>	0.095
--------------------	-------