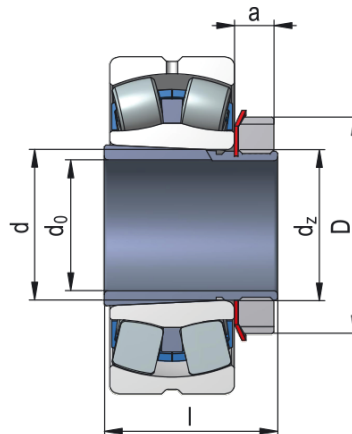


Adapter sleeves



Sleeve Designation	H206
---------------------------	-------------

Appropriate Components	
Nut	KM6
Washer	MB6

Dimensions (mm)

d_0	25
d	30
D	45
l	27
a	8
a_1	-
d_z	M30x1.5
d_{z1}	-

Weight [kg]	0.086
--------------------	-------