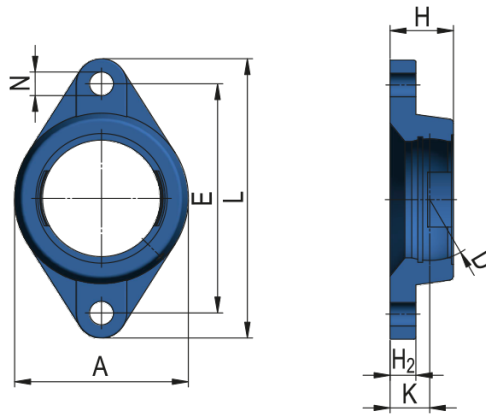


# Oval Flanged Cast Housing Unit - FM type



Housing Unit Designation

**FM213; FMC213**

## Dimensions (mm)

A	155
D	120
E	210
L	258
H	50
K	30
H <sub>2</sub>	22
N	23

Weight [kg]

2,86