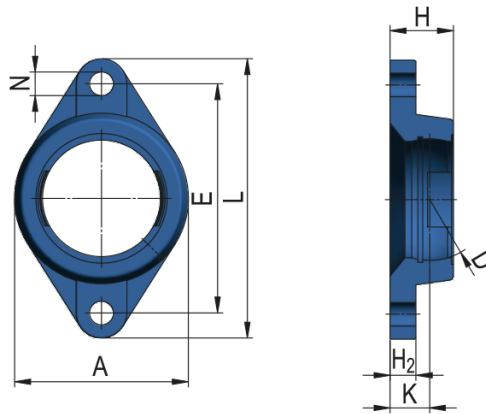


Oval Flanged Cast Housing Unit - FM type



Housing Unit Designation

FM212; FMC212

Dimensions (mm)

A	140
D	110
E	202
L	250
H	48
K	29
H ₂	18
N	23

Weight [kg]

2,26