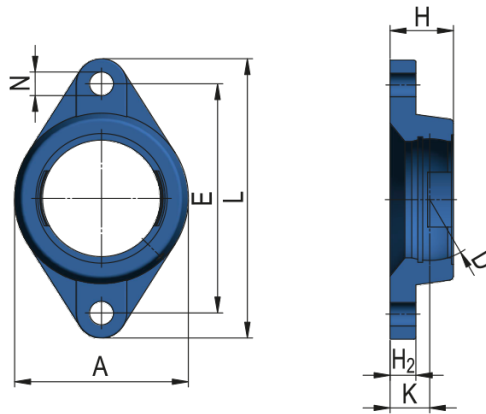


# Oval Flanged Cast Housing Unit - FM type



Housing Unit Designation

**FM203; FMC203**

## Dimensions (mm)

A	57
D	40
E	76,5
L	99
H	25,5
K	15
H <sub>2</sub>	11
N	12

Weight [kg]

0,240