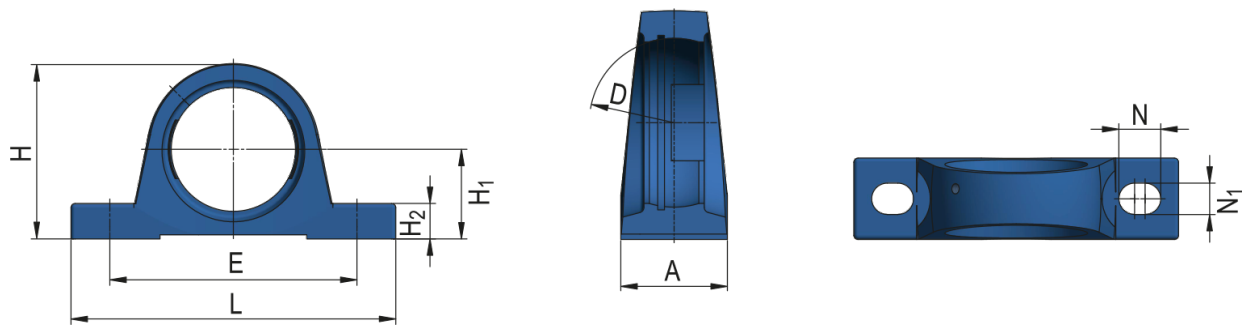


Pillow Block Housing Unit - SG type



Housing Unit Designation

SG210; SGC210

Dimensions (mm)

A	60
D	90
E	159
L	206
H	112,2
H ₁	57,2
H ₂	21
N	23
N ₁	21

Weight [kg]

1,76