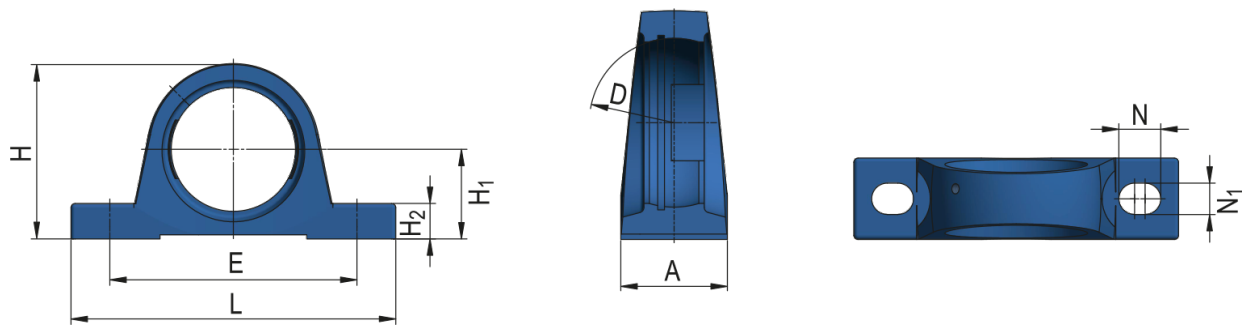


Pillow Block Housing Unit - SG type



Housing Unit Designation

SG209; SGC209

Dimensions (mm)

A	54
D	85
E	146
L	189
H	105,5
H ₁	54
H ₂	21
N	21
N ₁	17

Weight [kg]

1,35