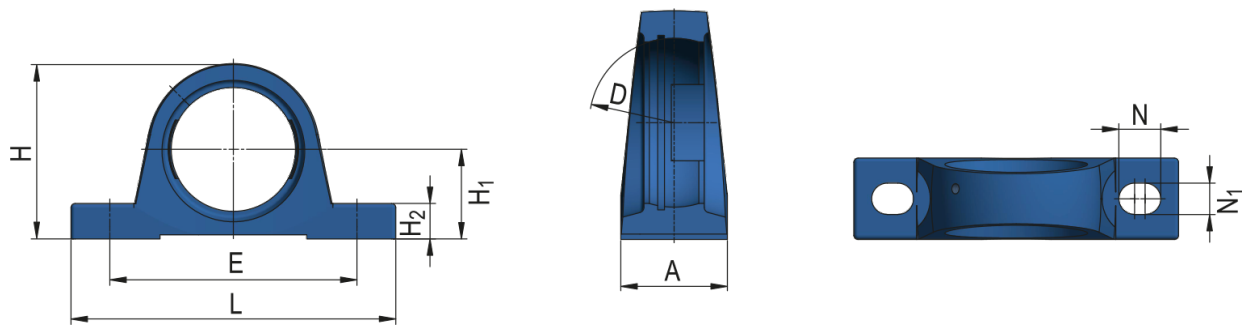


Pillow Block Housing Unit - SG type



Housing Unit Designation

SG217; SGC217

Dimensions (mm)

A	83
D	150
E	247
L	312
H	186
H ₁	95,2
H ₂	35
N	32
N ₁	25

Weight [kg]

6,20