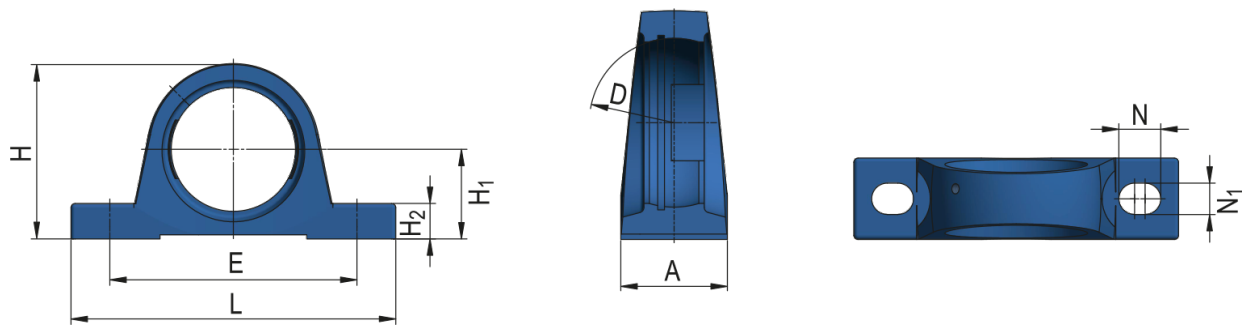


# Pillow Block Housing Unit - SG type



Housing Unit Designation

**SG213; SGC213**

## Dimensions (mm)

A	68
D	120
E	203
L	263
H	149
H <sub>1</sub>	76,2
H <sub>2</sub>	28
N	30
N <sub>1</sub>	25

Weight [kg]

3,45